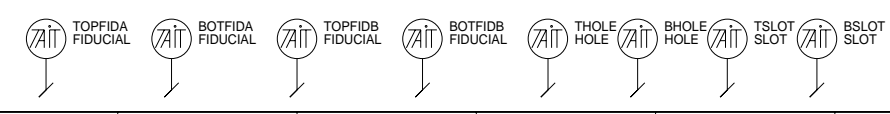
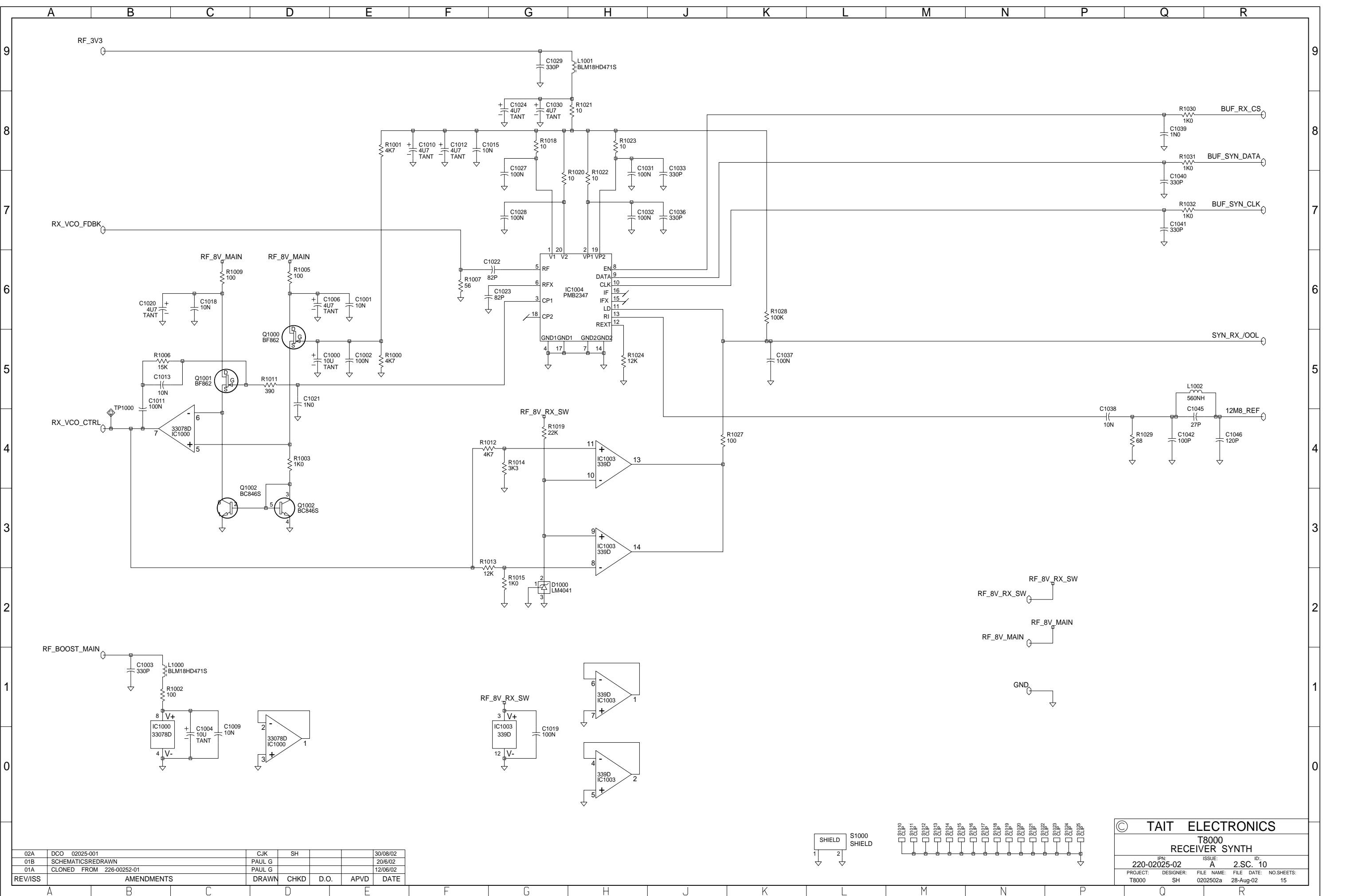


02A	DCO	02025-001	CJK	SH		30/08/02
01B	SCHEMATICS REDRAWN		PAUL G			20/6/02
01A	CLONED FROM 226-00252-01		PAUL G			12/06/02
REV/ISS	AMENDMENTS		DRAWN	CHKD	D.O.	APVD DATE

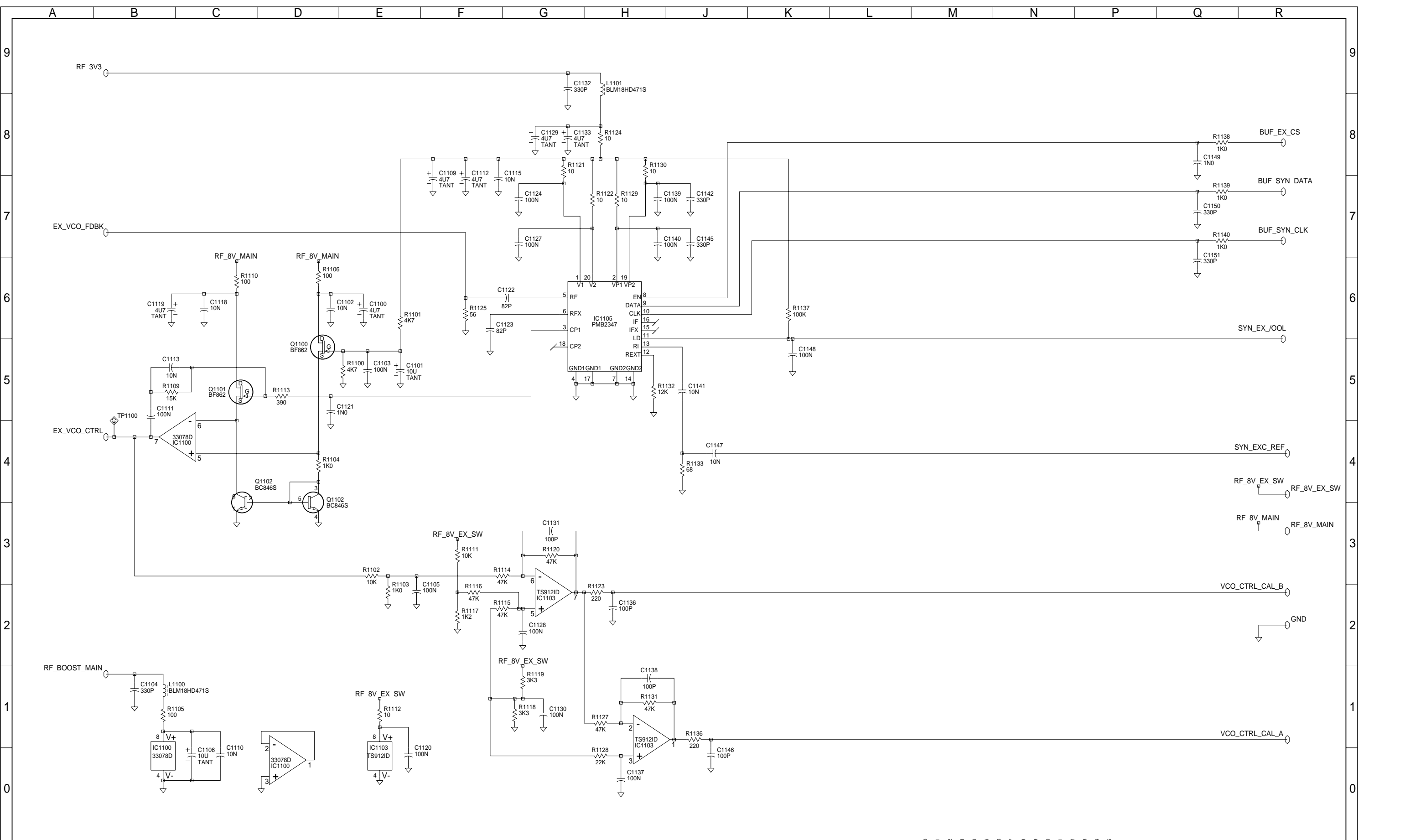


© TAIT ELECTRONICS			
T8000 RECITER TOP LEVEL			
IPN:	ISSUE:	FILE:	ID:
220-02025-02	A	2.SC.	1
PROJECT:	DESIGNER:	FILE NAME:	FILE DATE:
T8000	SH	0202502a	28-Aug-02
NO. SHEETS:		15	

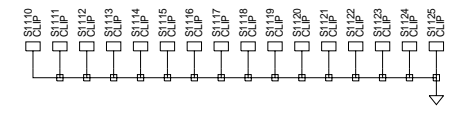
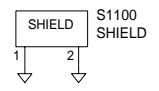


02A	DCO 02025-001	CJK	SH		30/08/02
01B	SCHEMATICS REDRAWN	PAUL G			20/6/02
01A	CLONED FROM 226-00252-01	PAUL G			12/06/02
REV/ISS	AMENDMENTS	DRAWN	CHKD	D.O.	APVD DATE

© TAIT ELECTRONICS
T8000 RECEIVER SYNTH
 IPN: 220-02025-02 ISSUE: A 2.SC. 10 ID:
 PROJECT: T8000 DESIGNER: SH FILE NAME: 0202502a FILE DATE: 28-Aug-02 NO.SHEETS: 15



02A	DCO	02025-001	CJK	SH		30/08/02
01B	SCHEMATICS REDRAWN		PAUL G			20/6/02
01A	CLONED FROM 226-00252-01		PAUL G			12/06/02
REV/ISS	AMENDMENTS		DRAWN	CHKD	D.O.	APVD DATE

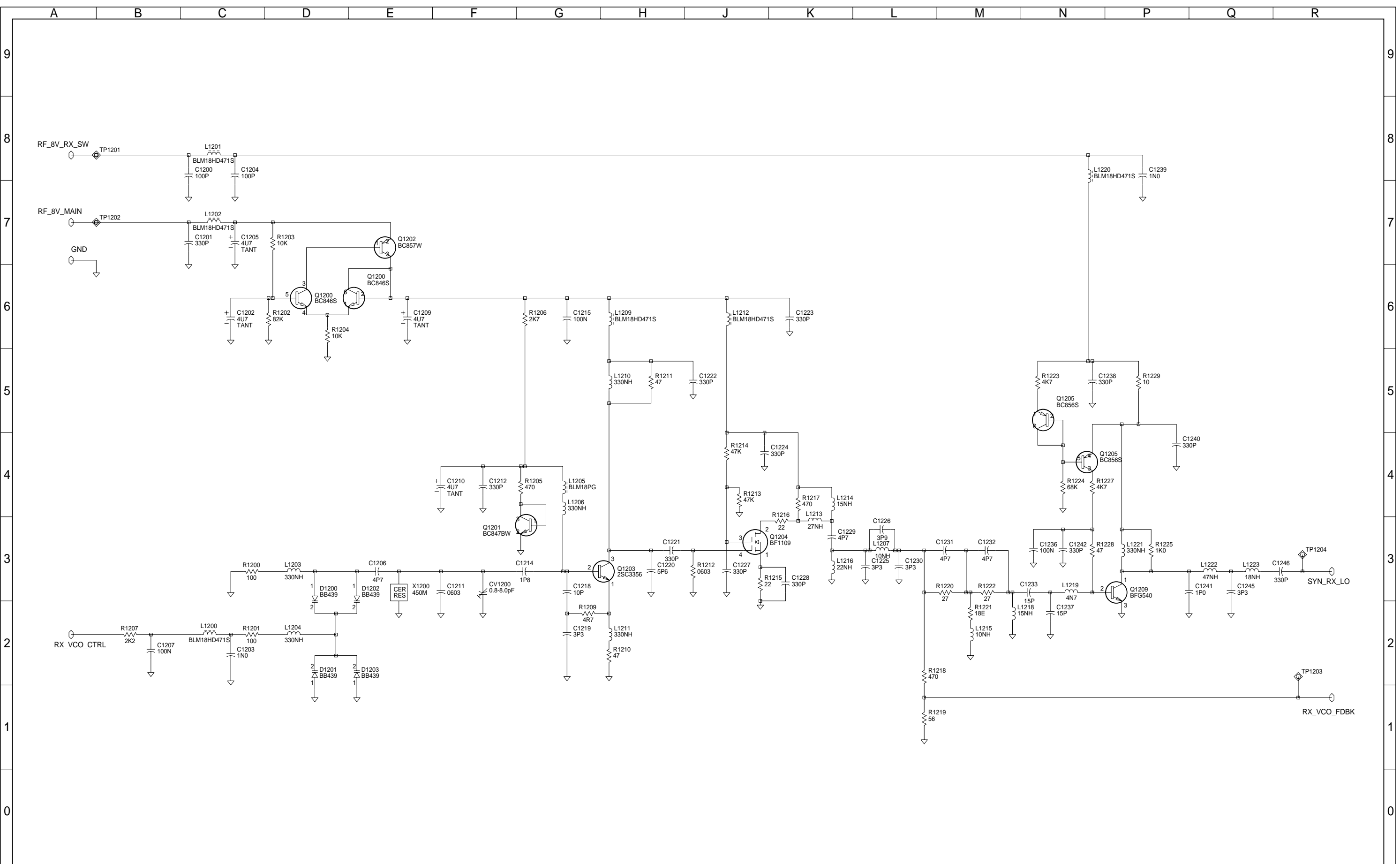


© TAIT ELECTRONICS

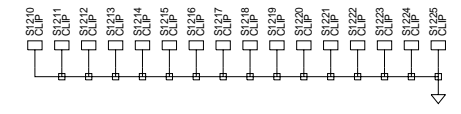
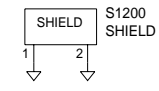
T8000
EXCITER SYNTH

IPN: 220-02025-02 ISSUE: A ID: 2.SC. 11

PROJECT: T8000 DESIGNER: SH FILE NAME: 0202502a FILE DATE: 28-Aug-02 NO. SHEETS: 15



02A	DCO	02025-001	CJK	SH		30/08/02
01B	SCHEMATICS REDRAWN		PAUL G			20/6/02
01A	CLONED FROM 226-00252-01		PAUL G			12/06/02
REV/ISS	AMENDMENTS		DRAWN	CHKD	D.O.	APVD DATE

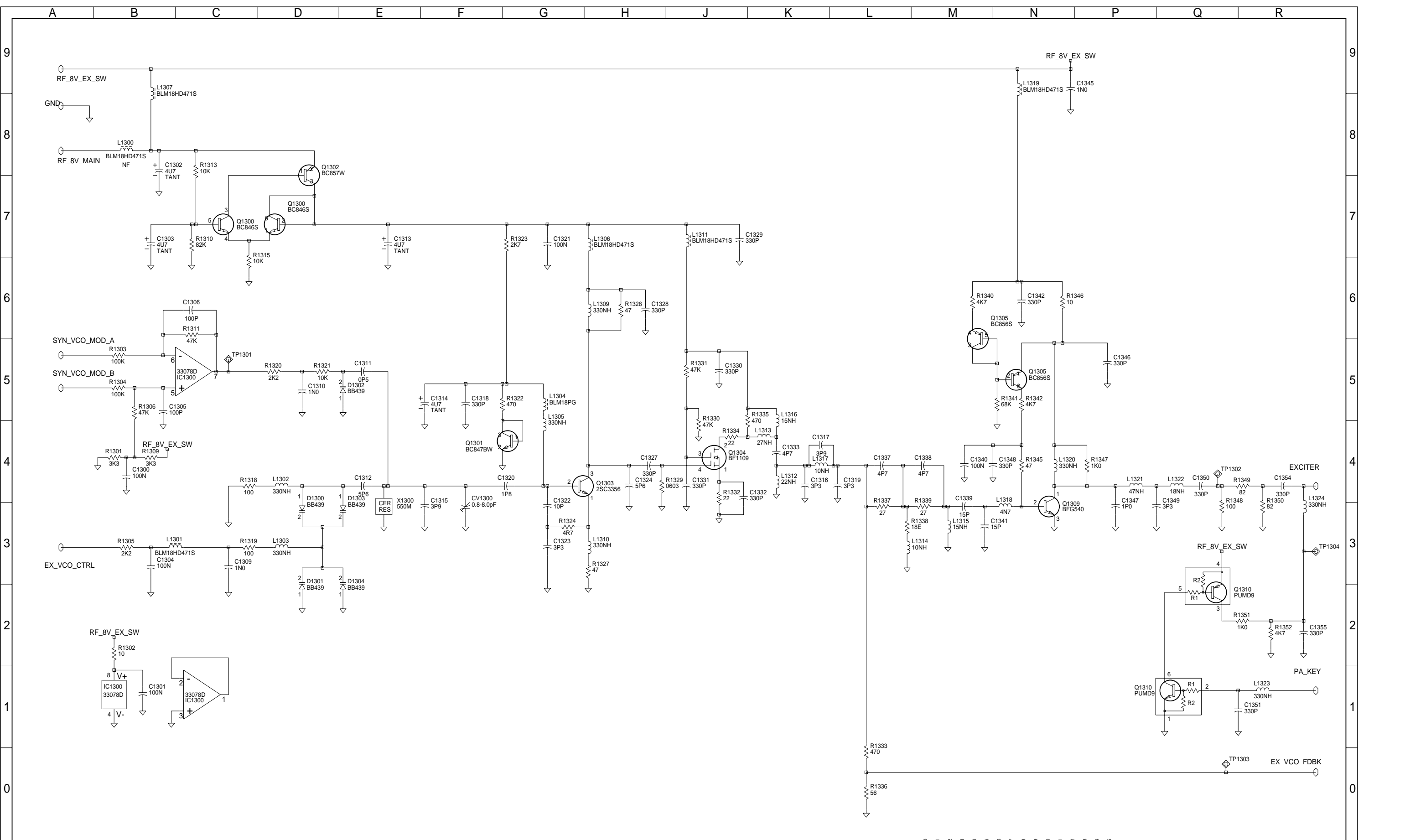


© TAIT ELECTRONICS

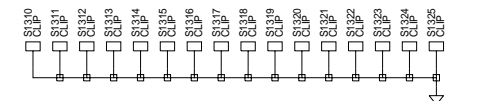
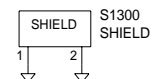
T8000 RECEIVER VCO

IPN: 220-02025-02 ISSUE: A ID: 2.SC.12

PROJECT: T8000 DESIGNER: SH FILE NAME: 0202502a FILE DATE: 28-Aug-02 NO. SHEETS: 15



02A	DCO 02025-001	CJK	SH		30/08/02
01B	SCHEMATICS REDRAWN	PAUL G			20/06/02
01A	CLONED FROM 226-00252-01	PAUL G			12/06/02
REV/ISS	AMENDMENTS	DRAWN	CHKD	D.O.	APVD DATE

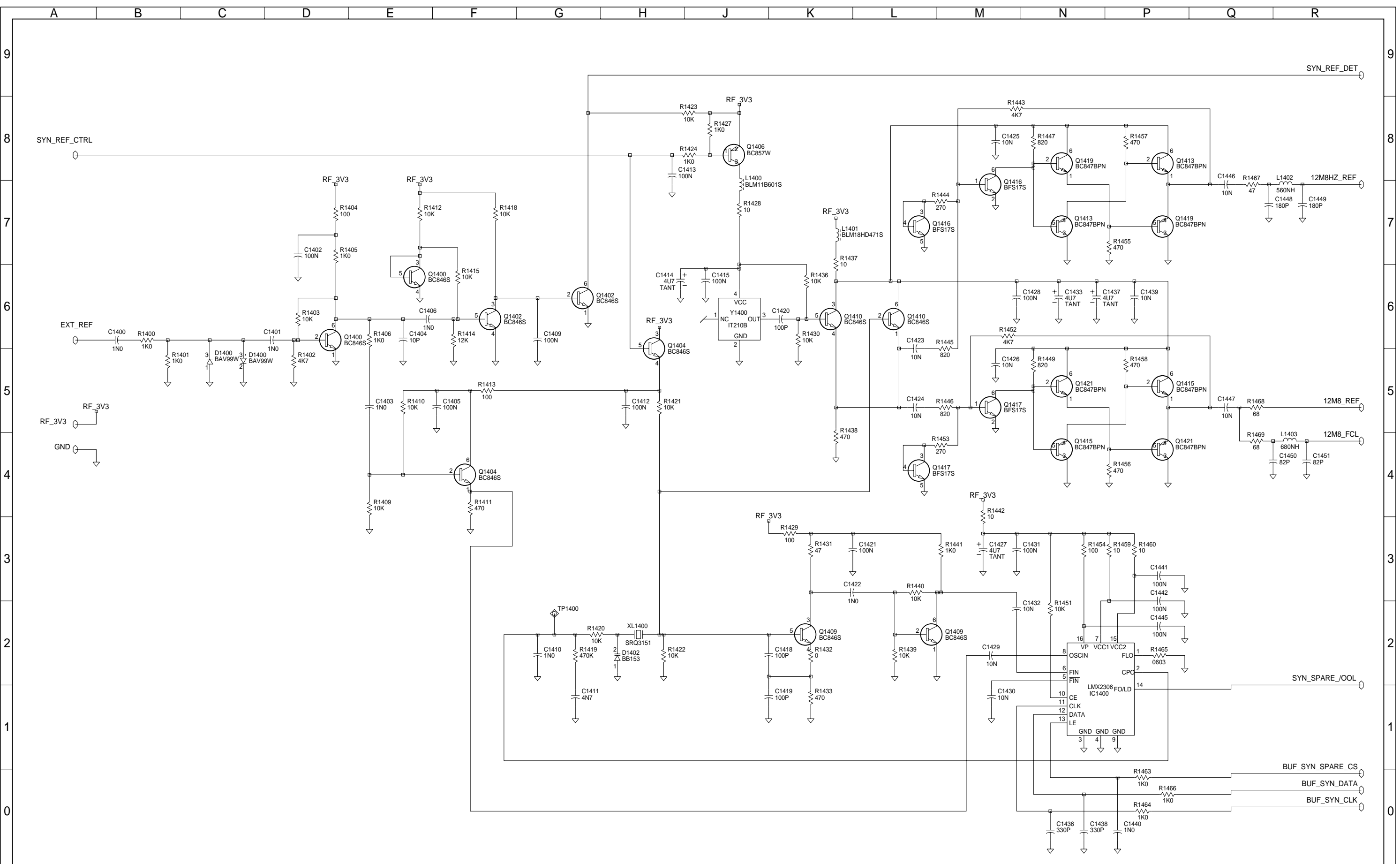


© TAIT ELECTRONICS

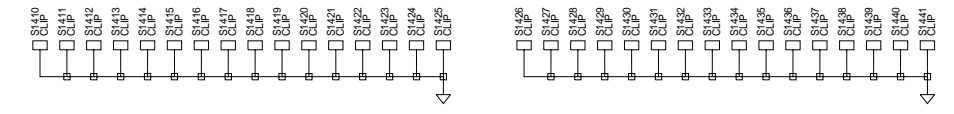
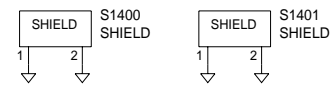
T8000
EXCITER VCO

IPN: 220-02025-02 ISSUE: A ID: 2.SC. 13

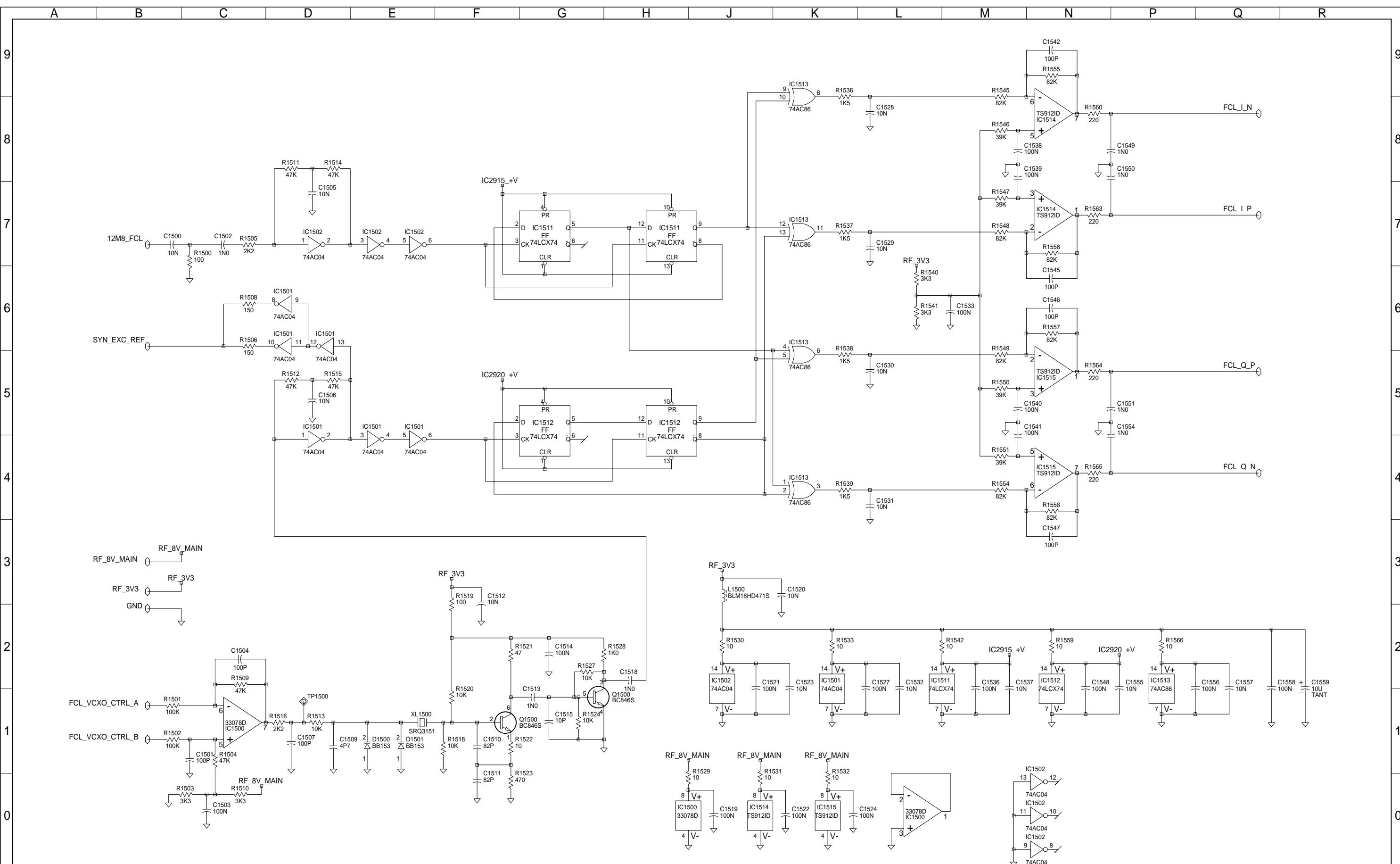
PROJECT: T8000 DESIGNER: SH FILE NAME: 0202502a FILE DATE: 28-Aug-02 NO. SHEETS: 15



02A	DCO	02025-001	CJK	SH		30/08/02
01B	SCHEMATICS REDRAWN		PAUL G			20/6/02
01A	CLONED FROM 226-00252-01		PAUL G			12/06/02
REV/ISS	AMENDMENTS		DRAWN	CHKD	D.O.	APVD DATE

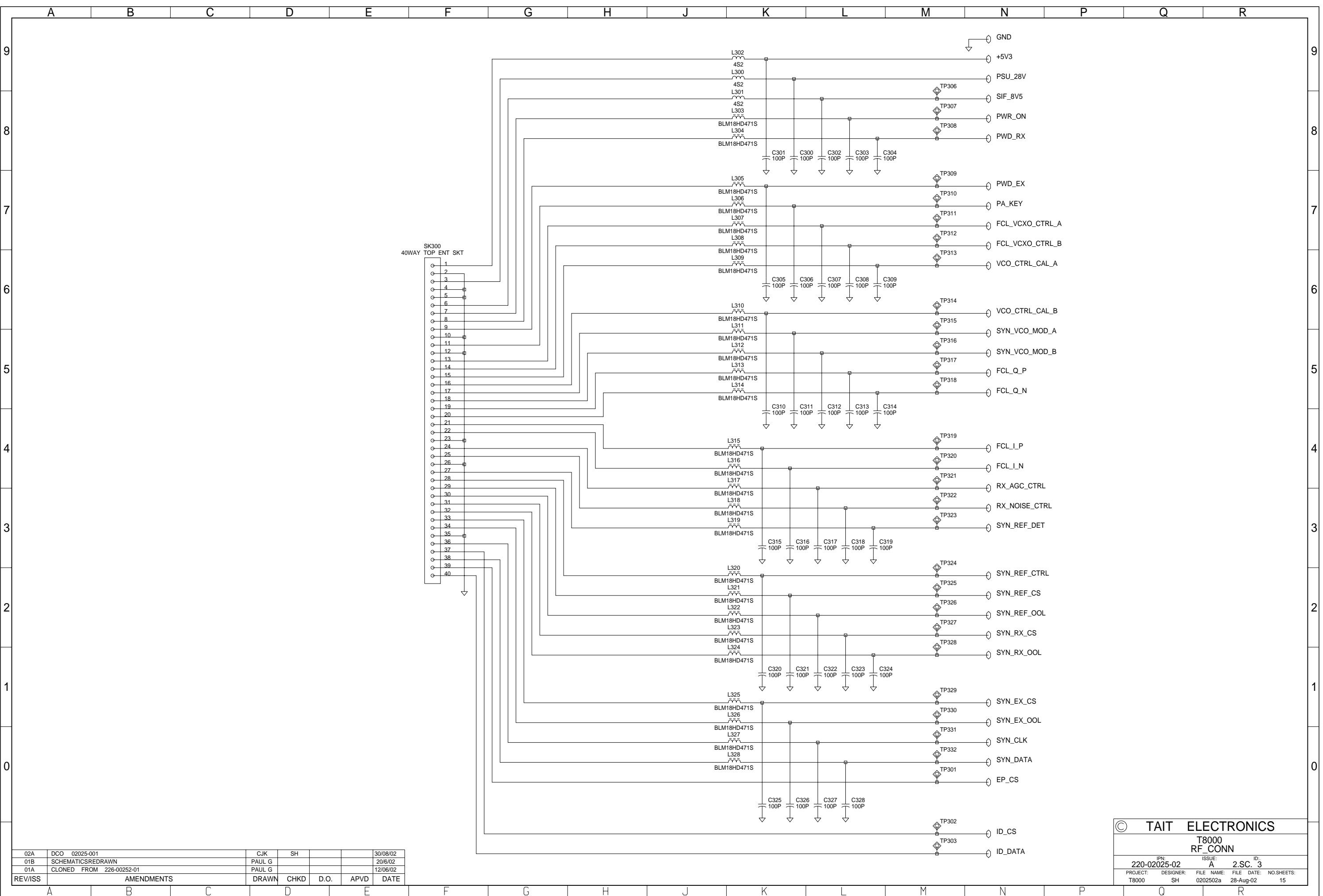


© TAIT ELECTRONICS
T8000
EXTERNAL REFERENCE
 IPN: 220-02025-02 ISSUE: A ID: 2.SC. 14
 PROJECT: T8000 DESIGNER: SH FILE NAME: 0202502a FILE DATE: 28-Aug-02 NO. SHEETS: 15



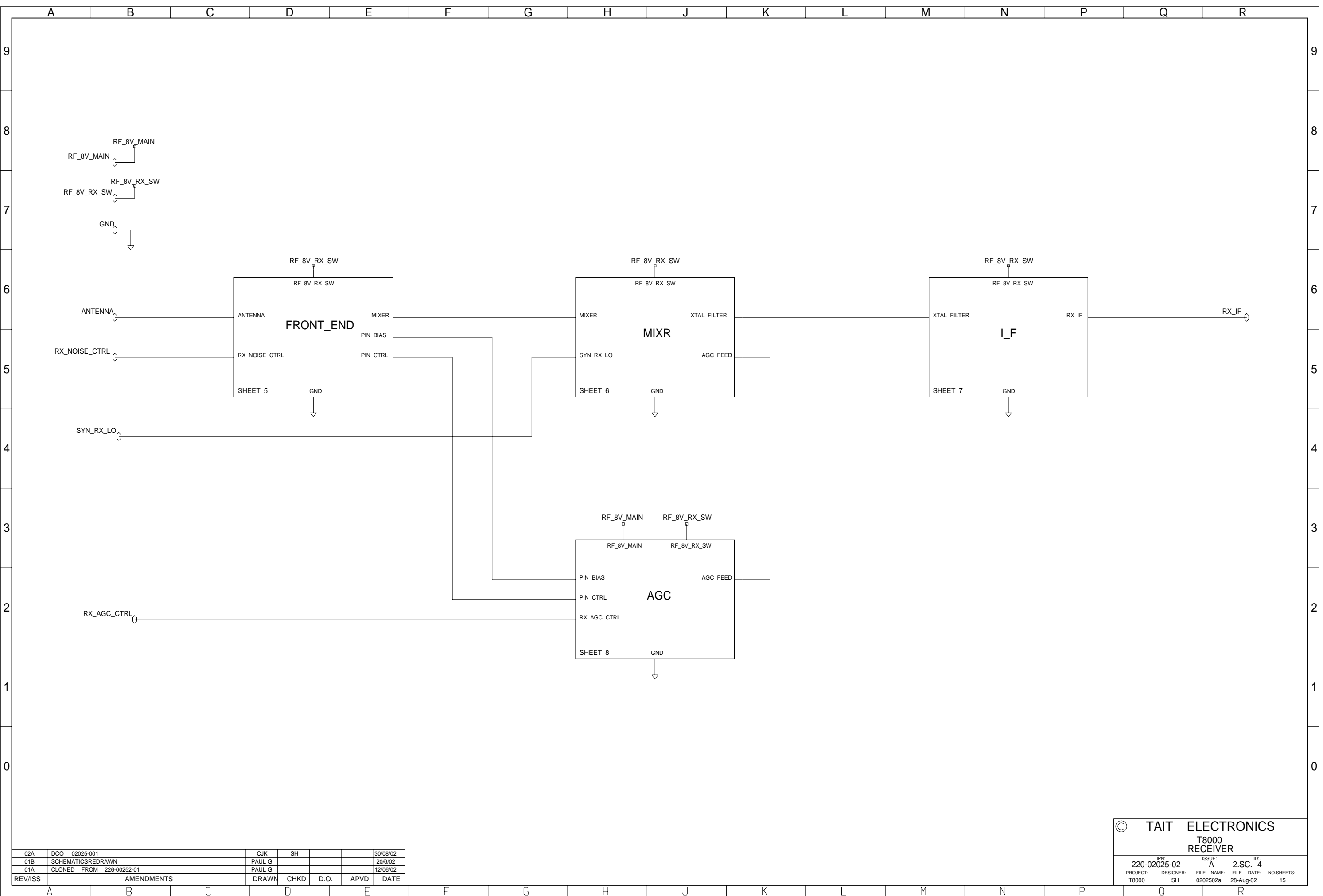
02A	DCO 02025-001	CJK	SH		30/08/02
01B	SCHEMATICS REDRAWN	PAUL G			20/06/02
01A	CLONED FROM 226-00252-01	PAUL G			12/06/02
REV/ISS	AMENDMENTS	DRAWN	CHKD	D.O.	APVD DATE

© TAIT ELECTRONICS
T8000
FREQUENCY CONTROL LOOP
 IPN: 220-02025-02 ISSUE: A 2.S.C. 15
 PROJECT: T8000 DESIGNER: SH FILE NAME: 0202502a FILE DATE: 28-Aug-02 NO.SHEETS: 15



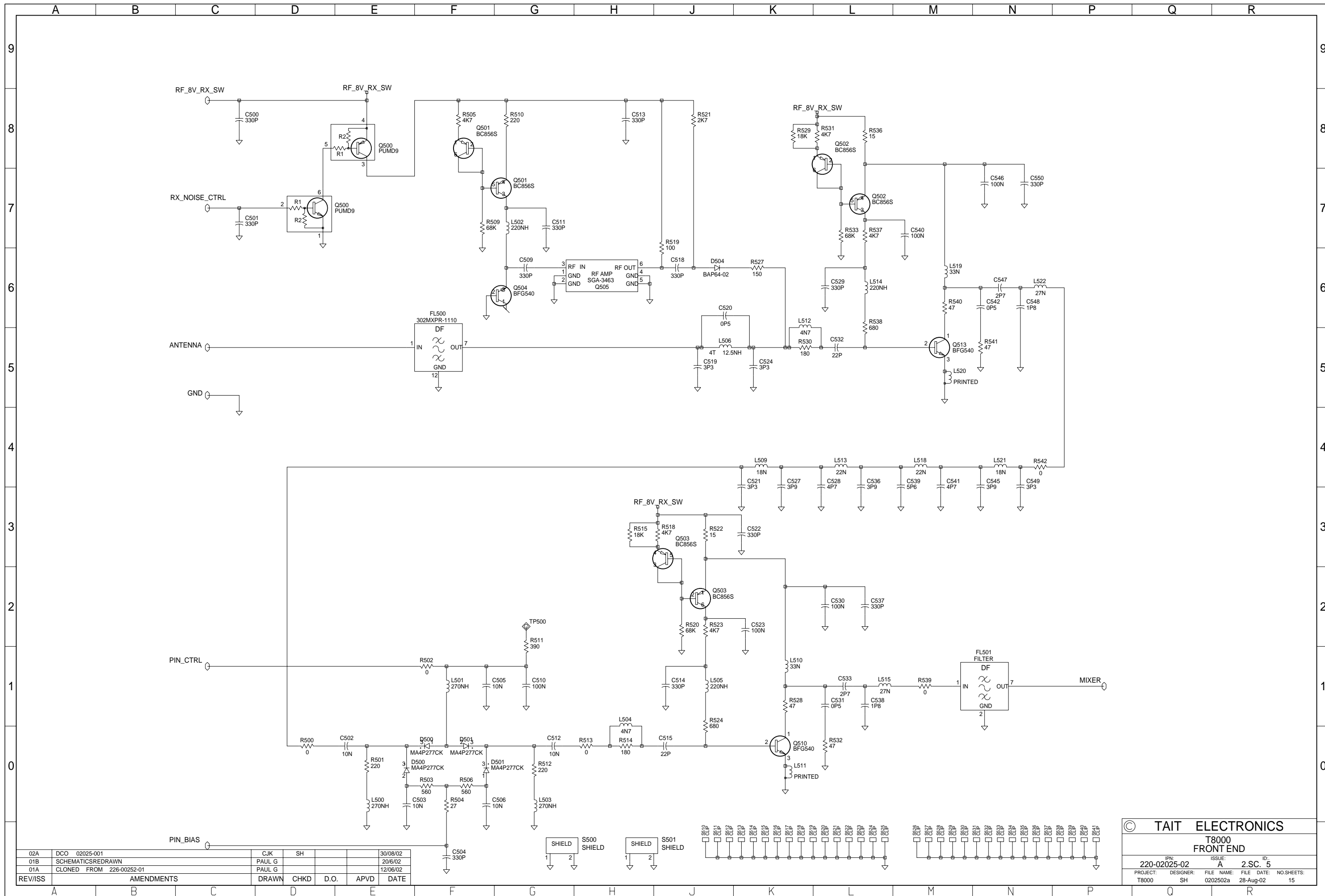
02A	DCO 02025-001	CJK	SH			30/08/02
01B	SCHEMATICS REDRAWN	PAUL G				20/6/02
01A	CLONED FROM 226-00252-01	PAUL G				12/06/02
REV/ISS	AMENDMENTS	DRAWN	CHKD	D.O.	APVD	DATE

© TAIT ELECTRONICS
T8000
RF_CONN
IPN: 220-02025-02 ISSUE: A ID: 2.S.C. 3
PROJECT: T8000 DESIGNER: SH FILE NAME: 0202502a FILE DATE: 28-Aug-02 NO. SHEETS: 15



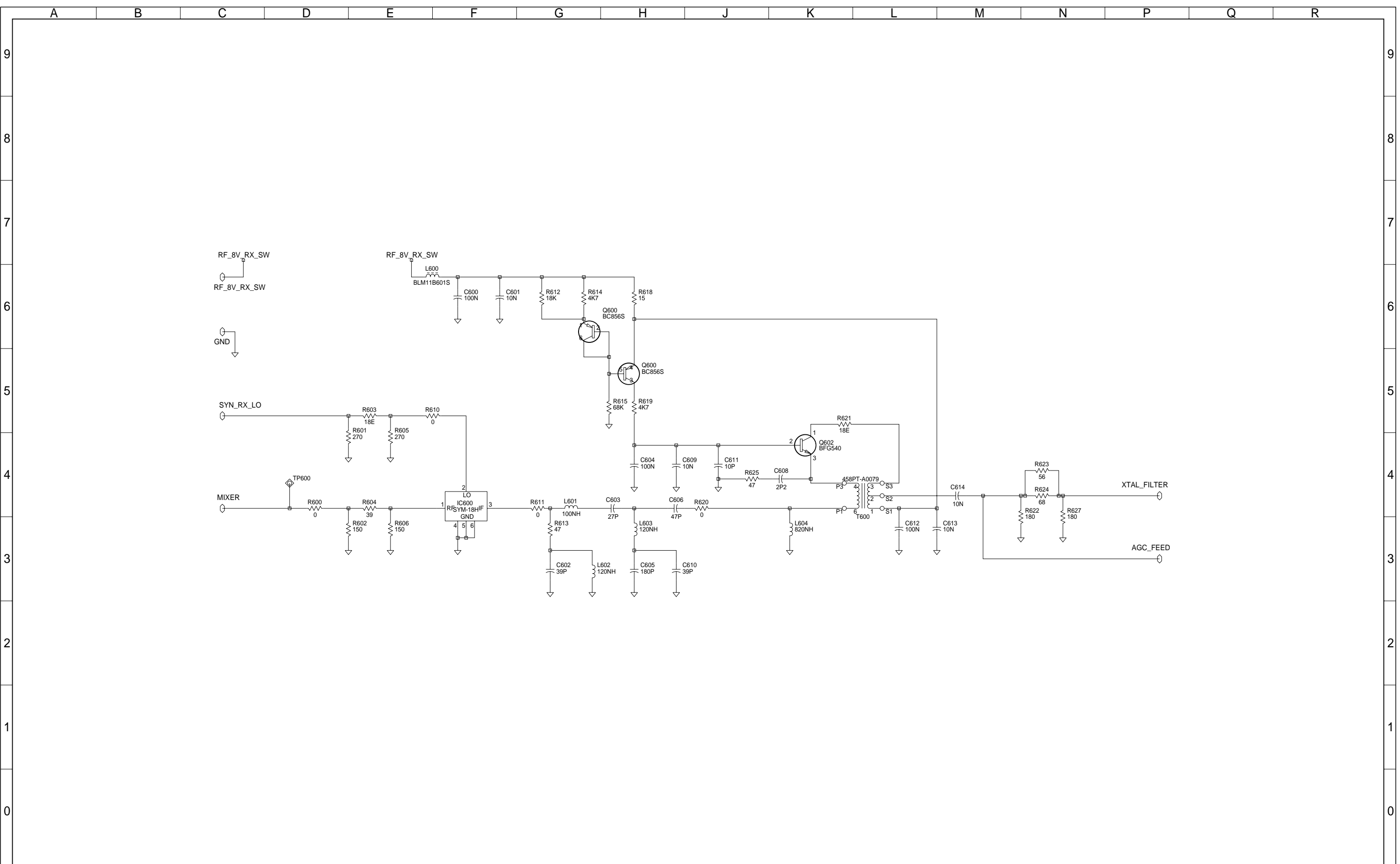
02A	DCO	02025-001	CJK	SH		30/08/02
01B	SCHEMATICS REDRAWN		PAUL G			20/6/02
01A	CLONED FROM 226-00252-01		PAUL G			12/06/02
REV/ISS	AMENDMENTS		DRAWN	CHKD	D.O.	APVD DATE

© TAIT ELECTRONICS					
T8000 RECEIVER					
IPN:	220-02025-02	ISSUE:	A	2.SC.	4
PROJECT:	T8000	DESIGNER:	SH	FILE NAME:	0202502a
		FILE DATE:	28-Aug-02	NO. SHEETS:	15

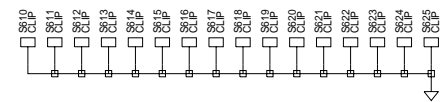
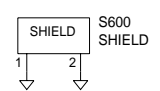


02A	DCO	02025-001	CJK	SH		30/08/02
01B	SCHEMATICS REDRAWN		PAUL G			20/6/02
01A	CLONED FROM 226-00252-01		PAUL G			12/06/02
REV/ISS	AMENDMENTS		DRAWN	CHKD	D.O.	APVD DATE

© TAIT ELECTRONICS
T8000 FRONT END
 IPN: 220-02025-02 ISSUE: A 2.S.C. 5 ID:
 PROJECT: T8000 DESIGNER: SH FILE NAME: 0202502a FILE DATE: 28-Aug-02 NO.SHEETS: 15



02A	DCO	02025-001	CJK	SH		30/08/02
01B	SCHEMATICS	REDRAWN	PAUL G			20/6/02
01A	CLONED FROM	226-00252-01	PAUL G			12/06/02
REV/ISS	AMENDMENTS		DRAWN	CHKD	D.O.	APVD DATE

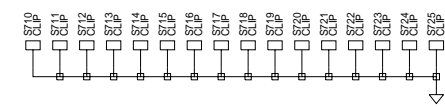
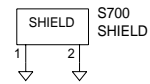
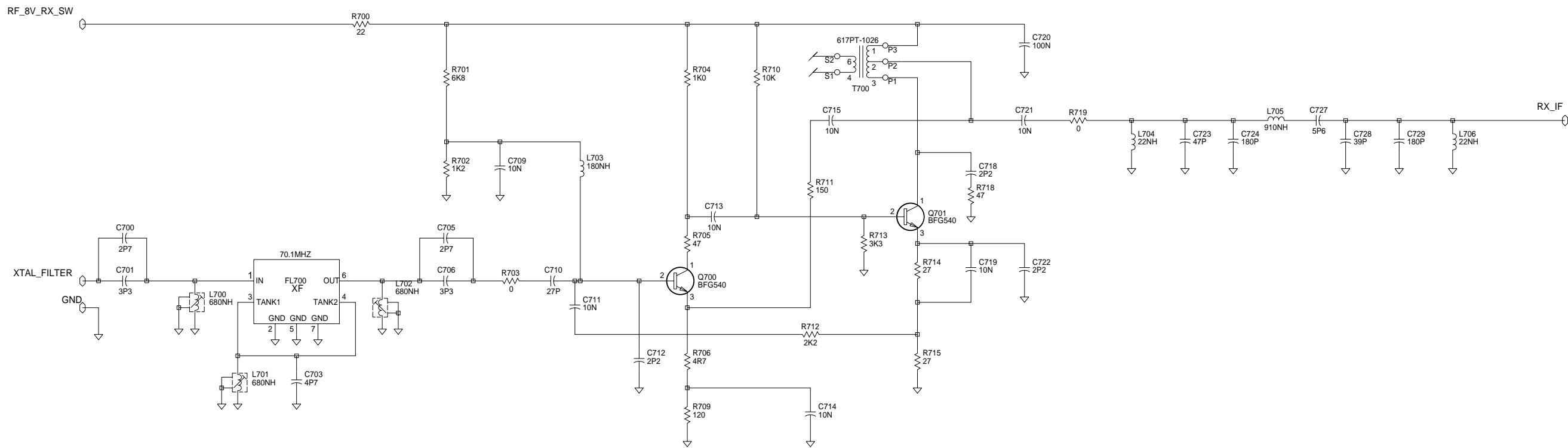


© TAIT ELECTRONICS

T8000 MIXER

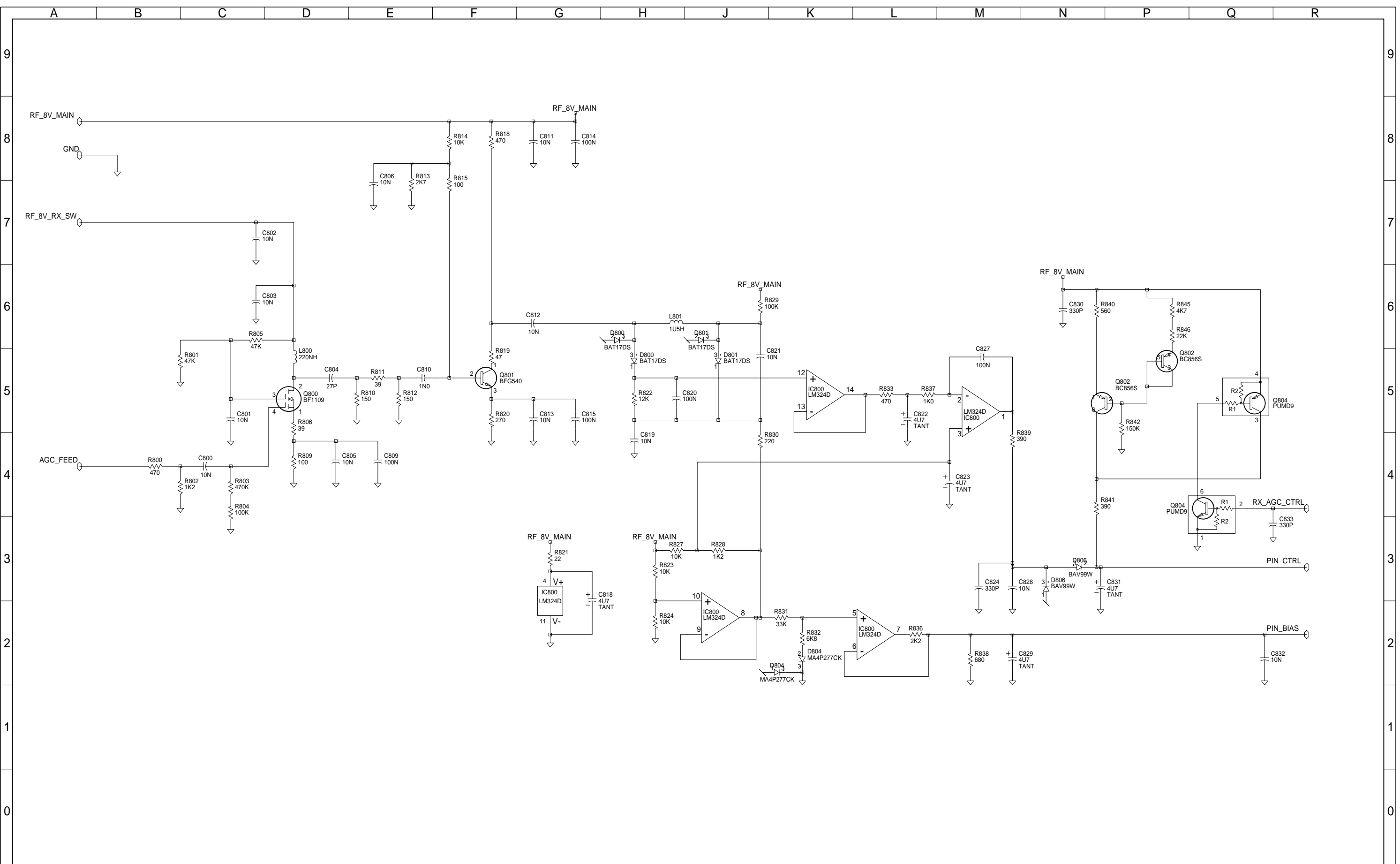
IPN: 220-02025-02 ISSUE: A ID: 2.SC. 6

PROJECT: T8000 DESIGNER: SH FILE NAME: 0202502a FILE DATE: 28-Aug-02 NO. SHEETS: 15

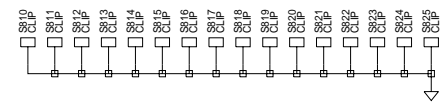
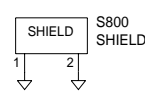


02A	DCO	02025-001	CJK	SH		30/08/02
01B	SCHEMATICS	REDRAWN	PAUL G			20/6/02
01A	CLONED FROM	226-00252-01	PAUL G			12/06/02
REV/ISS	AMENDMENTS		DRAWN	CHKD	D.O.	APVD DATE

© TAIT ELECTRONICS					
T8000 IF					
IPN:	ISSUE:	ID:			
220-02025-02	A	2.SC. 7			
PROJECT:	DESIGNER:	FILE NAME:	FILE DATE:	NO.SHEETS:	
T8000	SH	0202502a	28-Aug-02	15	



02A	DCO	02025-001	CJK	SH		30/08/02
01B	SCHEMATICS REDRAWN		PAUL G			20/6/02
01A	CLONED FROM 226-00252-01		PAUL G			12/06/02
REV/ISS	AMENDMENTS		DRAWN	CHKD	D.O.	APVD DATE

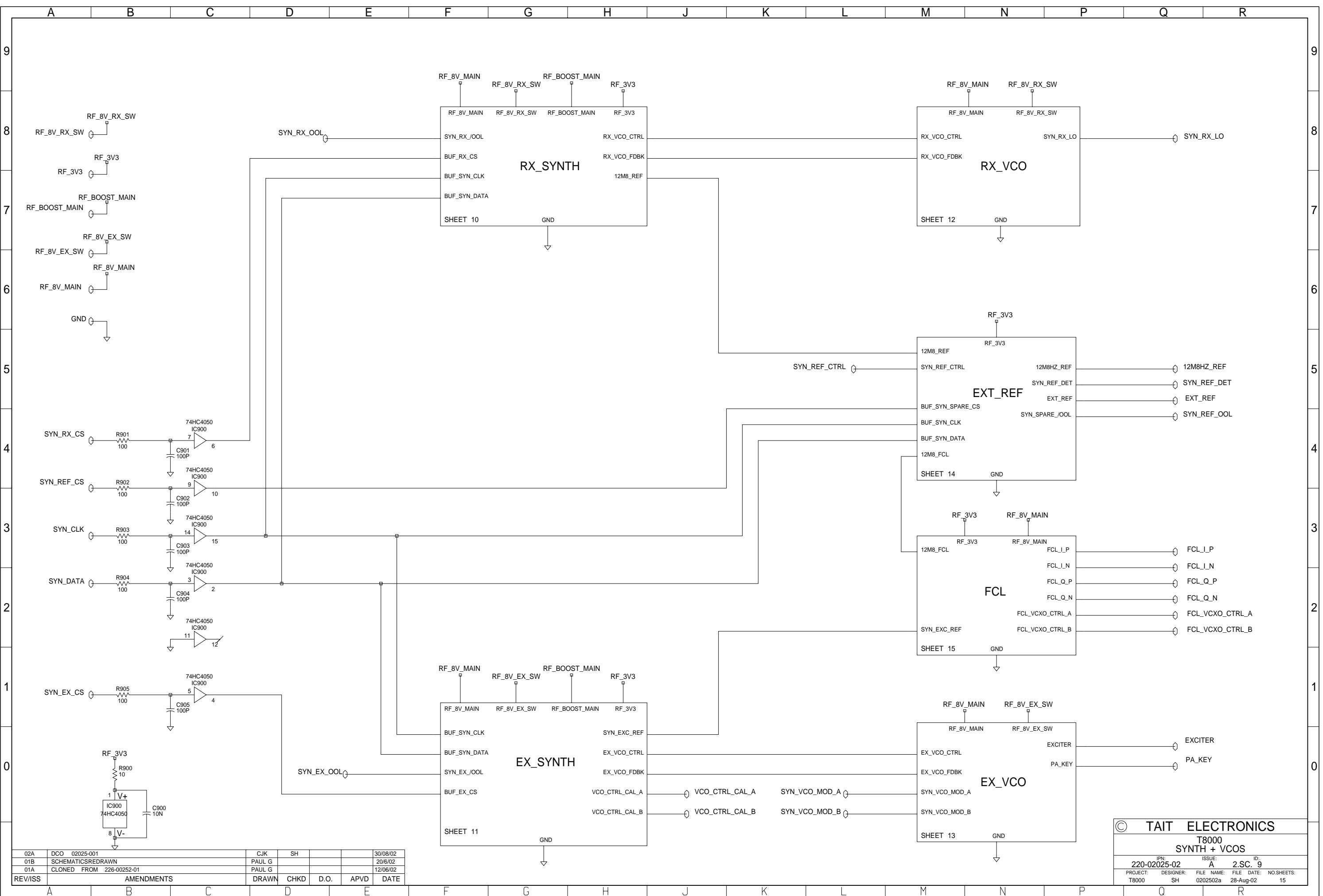


© TAIT ELECTRONICS

T8000 AGC

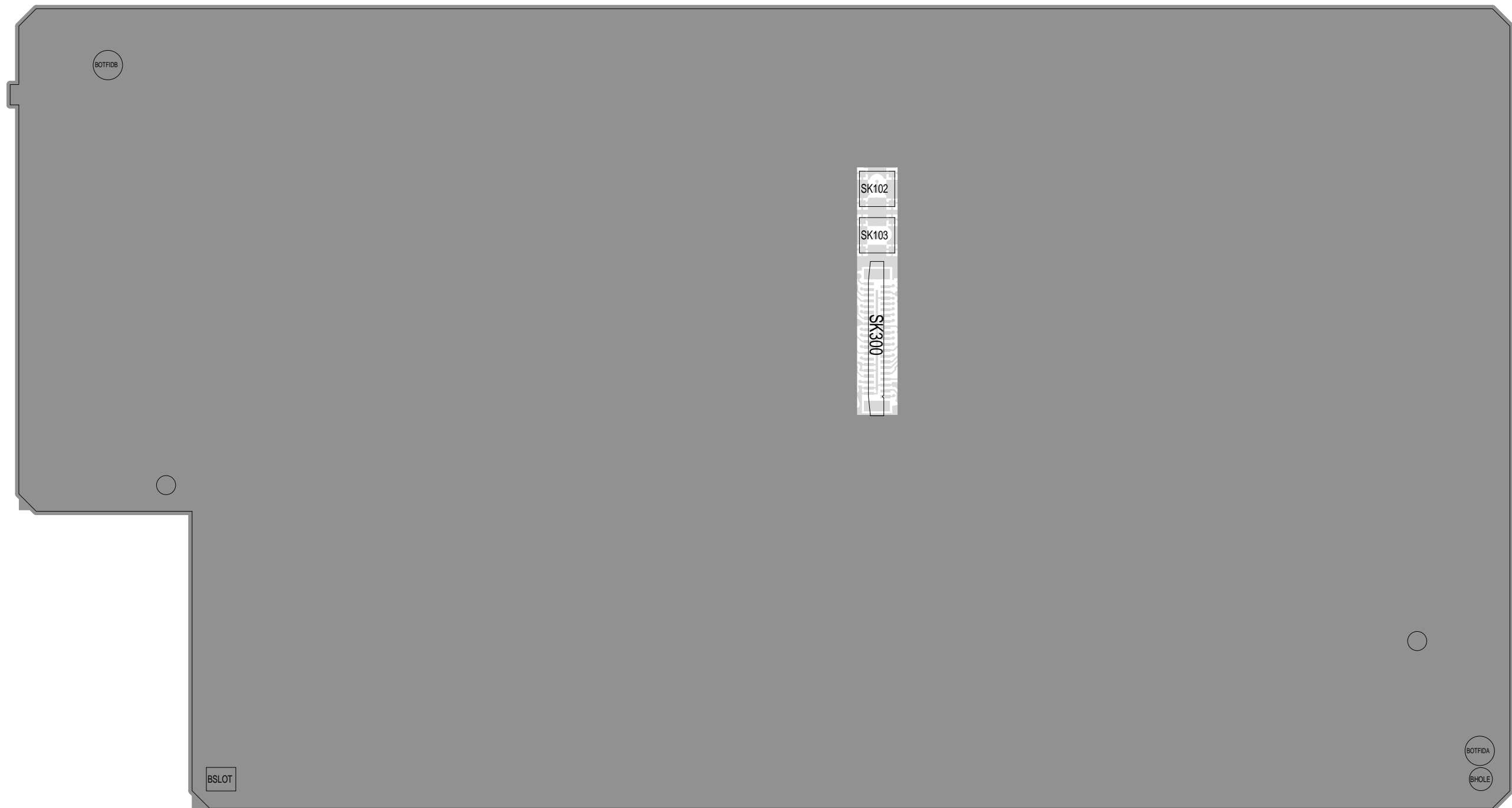
IPN: 220-02025-02 ISSUE: A ID: 2.SC. 8

PROJECT: T8000 DESIGNER: SH FILE NAME: 0202502a FILE DATE: 28-Aug-02 NO. SHEETS: 15



02A	DCO	02025-001	CJK	SH		30/08/02
01B	SCHEMATICS	REDRAWN	PAUL G			20/6/02
01A	CLONED FROM	226-00252-01	PAUL G			12/06/02
REV/ISS	AMENDMENTS		DRAWN	CHKD	D.O.	APVD DATE

© TAIT ELECTRONICS
T8000
SYNTH + VCOS
 IPN: 220-02025-02 ISSUE: A 2.S.C. 9 ID:
 PROJECT: T8000 DESIGNER: SH FILE NAME: 0202502a FILE DATE: 28-Aug-02 NO.SHEETS: 15



TAIT ELECTRONICS	IPN: 220-02025-02	ISS: A	ID: 4.BA	DATE: 30 Aug 2002
RECITER4_RF PCB LAYOUT - BOTTOM SIDE				

Scale: 1.3:1 ; Rotation: 0 degrees